

Classic Christmas Carols

SK-RC

Singing Keyboard Series

Songs to Sing and Play
The words are in the notes!

Away in a Manger - second melody

Quietly #:1 Beats: 3

LH | RH

C	D	E	A	G	A	B
1	2		3	4		5
4	A-			way		
				in		a
				man-		...
	no			ger,		
		crib		for		
		a				
	bed,	ii				

From the Music Innovator's Workshop

Contents - Arranged Alphabetically Organized by Hand Position

How to play a song 3

Thumbs on F and G

Angels We Have Heard on High 4

Silent Night 5

The First Noel 6

What Child is This? 8

Thumbs on G and A

Away in a Manger - 1st melody 10

Away in a Manger - 2nd melody 11

God Rest Ye Merry Gentlemen 12

Hark! The Herald Angels Sing 14

It Came Upon a Midnight Clear 16

Joy to the World 18

Lo, How a Rose 20

O Come, O Come Immanuel 22

O Little Town of Bethlehem 24

We Three Kings of Orient Are 26

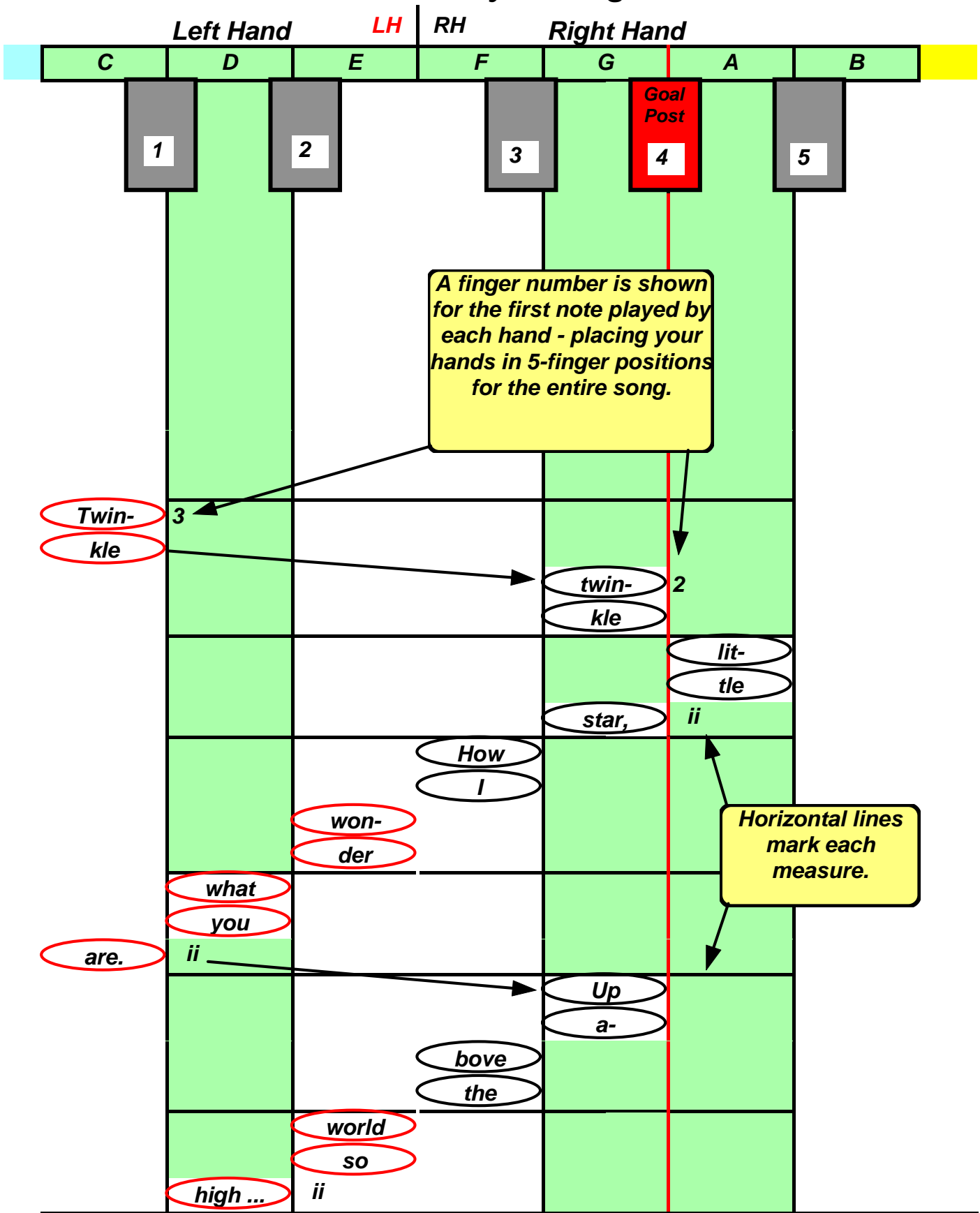
Thumbs on A & B

O Come All Ye Faithful 28

Thumbs on B & C

Angels, From the Realms of Glory 30

How to Play a Song



Angels We Have Heard On High

Joyfully *b:1* Beats: 4

LH RH

C	D	E	F	G	A	B	C	D
1		2		3	4	5		1
					2			
					An- gels we		have heard	iii
					On			
					high, Sing-	ii		
				ing	sweet-		ly	
					o'er	iii		
			1	the				
			plains,	ii	And the moun-		tains in	iii
					re-	ii		
					ply, E-			
				cho-	ing		their	
					joy-	iii		
				ous			Glo-	ii
				strains:			---	---
					---		---	---
					---	ii	---	

					---	ii		

					---	iii		
ri- a,				---				
4				in	ex-			
ii					cel- sis	ii		
					De-			
				---	---	iii		
				o.		iv		

Silent Night, Holy Night

Quietly b:2 Beats: 3 LH | RH

B		C	D	E	F	G	A	B	C	D
5		1		2		3	4	5		1
			2	iii	Si-	---				
		night,	iii	lent	---					
				Ho-	iii	---				
		night,	iii	ly	---					
							3	All	ii	
							is	is	---	
							calm,	iii	all	ii
							is	---	bright:	iii
						Round	ii	yon	---	vir-
								gin	iii	Mo-
						ther	---	and	iii	Child;
		Child;	iii	Ho-	ii	ly	in-	fant	iii	so
							ten-	iii	der	and
				mild,	iii	and	---	Sleep	ii	in
								in	iii	heav-
								en-	iii	heav-
								ly	---	en-
								peace---	iii	ly
								Sleep---	iii	peace---
								---	iii	---
								in	iii	heav-
								en-	2	heav-
								ly	4	in
Peace	iii									

The First Noel - 1										
Moderately #/b:0 Beats: 3										
C			D			E			F	RH
C	D	E	F	G	A	B	C	C	C	
1		2		3	4	5		1		
		The---	2							
first---	---									
iii	---	No-		---						
			1	el,	ii	the---				
						---		an-		
						gels				
				say,	ii	did				
						was	to			
							tain	cer-		
						poor				
				shep-		herds	in			
							fields			
				as						
			they							
		lay:	ii							
		in---								
fields---	---									
iii	---	where---		---						
					they	ii	lay---			
							---	keep-		
							ing			
					sheep,	ii	their			
							On			
							a			
								cold		
							win-			
						ter's				

The First Noel - 2

LH		RH						
C	D	E	F	G	A	B	C	
1				3	4		5	1
			1	night--	---	that	was---	
			1	so	---			
		deep.	ii					
		No-						
el---	---							
	iii							
	---	No-						

				el,	ii		No-	

					el, No-	ii		
				el,	iii		Born	
						is		
					the			
				King---	---			
						of		
							Is-	

			ra-					
		el.	ii					

What Child is This? - 1

Moderately #2 Beats: 3 LH RH

		B	C	D	E	F	G	A	B	C
5			1	2		3	4	5		1
				2	What		child	1 ii		
								is	this,	iii
									who	---
								laid	ii	
			3	rest	iii	to	1			

						on				
							Ma-	ii		
					ry's	2				
					lap	iii				

					is					
						sleep-	iii			
5	-ing?	ii								
				2	whom					
							an-	ii		
								gels		
									greet	iii
									with	---
									an-	
						them				
				sweet,	iii					

						While				
						shep-	iii			

					herds					
				watch	iii					

				are						
					keep-	iii				
					ing?	iii				

What Child is This? - 2

#:2 LH | RH

B		C	D	E	F	G	A	B	C	D
5		1	2		3	4	5		1	
									5	This this
									---	is ii
										Christ ii
										the 1
										King; iii

										Whom ii
										shep- ii
										herds iii
										guard iii

										and ii
										an- ii
										gels 3
										sing: iii

										Haste, iii
										haste iii

										to ii
										bring ii
										Him iii
										laud, iii

										The iii
										Babe, iii

										the iii
										Son iii

										of iii
										Ma- iii
										ry! ii

Away in a Manger - 2nd melody

Quietly #1 Beats: 3

LH RH

C	D	E	F	G	A	B	C	D
1		2		3	4	5		1
	A-			way in		...	a	
				man- ger,				
no	crib			for				
	a							
bed, The	ii			lit- tle		Lord		
						Je- sus	Laid	down
				sweet		His		
The				stars in		head, ii		
				sky look-		the		
ing	down					...		
	He						where	
lay The	ii			lit- tle		Lord		
						Je-		sus
sleep	on						a-	
			the					
			hay.	ii				

God Rest Ye Merry Gentlemen - 1

With spirit #:1 Beats: 2

LH

RH

C	D	E	F	G	A	B	C
1		2		3	4	5	1
	3	God rest				ry	ye mer- 2
				gen- tle-			
Let	men,						
	no-		thing				
			you		dis-		
	Re- mem-					may,	iii
						ber Christ	
				Sa- ---		our	
was	vior						
	born		on	Christ-			
					mas		
						day, To	iii
							save
					us		
						all	
							from

God Rest Ye Merry Gentlemen - 2

#:1		LH		RH					
E	F	G	A	B	C	D	E	F	
2		3	4	5		1		2	
						4	Sa-		
									tan's
									pow'r
									when
		1							we
									were
									gone
									a-
									stray,
									And
									God
									send
									you
									a
									hap-

									py
									new
									year
									hap-
									py
									new
									year;
									And
									God
									send---

									you
									a
									hap-

									py
									new
									year.
									iii

Hark! The Herald Angels Sing - 1

Joyfully *b:1* Beats: 4 LH RH

C	D	E	F	G	A	B	C	D
1		2		3	4	5		1
4	Hark!			the her- ald	an- ---	gels sing, 2		Glo- ry to
				and	mer- ---	cy mild, ---		God
4	Peace			on earth and	King; ---	and sin- ---		Joy- ful, all
				ners rec- ---	---	na- tions rise, ---		Join the tri-
	ciled!"	on- ---		ye	---	of the skies; ---		
				umph				

Notes: Red circles highlight lyrics. Yellow circles highlight lyrics. Arrows indicate connections between lyrics and musical notation. Roman numerals (i, ii, iii, iv) are placed near the lyrics.

Hark! The Herald Angels Sing - 2

b:1 LH RH

E	F	G	A	B	C	D	E	F
2	3	4	5		1	2		3
							With th' angel- 5	
				pro-	host	ic		
			"Christ	claim,	ii			
			is	---				
	1	in	le-	born	iii			
		Beth-	hem!"	ii				
							Hark! the her- iii	
				an-	ald			
				gels	ii			
			"Glo-	sing,				
			ry	---				
	1	the		to	iii			
		new-	born					
		King!"	ii					

It Came Upon a Midnight Clear - 1

Moderately *b:2* Beats: 2 LH RH

C	D	E	F	G	A	B	C	D
1	2		3	4	5		1	
		2	It					
					up-		4	came
				a		on		---
			mid-	ii				
			night	ii				
			clear,	That				
				glo-				

					rious			
					song			

							old.	v
		2	from					
							4	an-
					gels			ii
							bend-	
			near	ii				
			the	ii				
			earth,	to				
				touch	ii			
				their				
					harps			

			of					
					gold.		v	
								Peace

It Came Upon a Midnight Clear - 2

b:2 LH RH

C	D	E	F	G	A	B	C	D
1	2		3	4	5		1	
4	the earth,	---	good	will	ii to men	ii	4	on
								ii
								From
								heaven's

								all

								gra-

								cious
								v
								King."
								The
								4
								world
								ii
								in
								sol-

								emn
								ii
								still-
								ii
								ness
								ii
								lay,
								to
								ii
								hear
								the
								an-

								iv
								gels
								song.

Joy to the World - 1

Moderately #: 2 Beats: 2 LH RH

C		D		E		F		G		A		B		C		D	
1		2						3		4		5			1		
															4	Joy to	iii

Lyrics and musical notation are placed within the grid cells. A red box highlights measure 4 in the first system, and a yellow box highlights measure 4 in the second system. Arrows indicate cross-system relationships between 'come:' and 'Let', and between 'heart' and 'pre-prepare'.

Joy to the World - 2

#: 2

LH RH

C	D	E	F	G	A	B	C	D
1	2		3	4	5		1	
			1	And	sing,	iii	1	

	heav-							
	en							
	and							
	nat-							
	ure							

				sing,	iii			
			And					

heav-								
							4	en
						and		
					heav-	iii		

			en					
			and					
			na-					
	ture							
sing.	ii							

Lo, How a Rose - 1

Tenderly *b:1* Beats: 4 LH RH

C		D		E		F		G		A		B		C		D	
1		2						3		4		5				1	
														3		ii	
														Lo,		Rose	
														how		up-	
														a		spring	
														ing		ii	
														on		ii	
														ten-			
														1		der	
														has			
														root			
														grown:		iv	
														3		A	
														Rose		ii	
														by		proph-	
														et's		ii	
														sing-			
														ing		ii	
														To		ii	
														all			
														the			
														world			
														made			
														known.		iv	
														xxx			
														The			
														Rose			
														midst			
														win-			
														ter's			
														cold,-			

Lo, How a Rose - 2

b:1 LH | RH

C	D	E	F	G	A	B	C	D
1		2		3	4	5		1
							3 xxx a lone- ly som bear-	(rest) blos- ii
					ing form-	ii in ii		
		fore-	1 days	er				
			told.	iv				

O Come, O Come Immanuel - 1									
Solemnly		#:1		Beats 2		LH		RH	
C	D	E	F	G	A	B	C	D	
1	2		3	4	5		1		
	3	O-		come,		2	O-		
							come,		
							im-		
							man-		---

							u		
				el,		iii			
							And		
								ran-	
		cap-		som-					
				tive					
							Is-		
			---	---					
ra-		---							
	el,	iii					that		
							mourns		
	in								
	lon-								
				ly					
				ex-					

	ile								
here	iii								

O Come, O Come Immanuel - 2

Solemnly #:1 Beats 2 LH | RH

C	D	E	F	G	A	B	C	D
1	2		3	4	5		1	
				Un-		til		
						the		
						Son		
						of		
					God-		---	

				pear.	iii	ap-		
								4
								iii
						Re-		Re-
						joice!	iii	joice!
						im-		
					man-			

						u-		
				el	iii			
					Shall			
						come		
		thee,		to				
				O				
					Is-			

ra-		---						
	el.		iii					

O Little Town of Bethlehem - 1

Moderately #1 Beats: 4

LH

RH

C	D	E	F	G	A	B	C	D	E
1	2			3	4	5		1	2
						O 2 lit- tle town 1 of 2		Beth--	
	3	hem,			How 1		le-		
			we	still					
			---	see					
thee					see		lie! iii		
							A- bove thy		deep
								and dream-	
	sleep,				The		less		
				si-					
			lent---	---					
					go	stars iii			
			by;						
						Yet in thy			
					dark				
			streets						

O Little Town of Bethlehem - 2

#:1 LH RH

C	D	E	F	G	A	B	C	D	E
1		2		3	4	5		1	2
			2	shin-eth The	ii				
	ev-		er-	last-		ing	1		
						Light;	iii		
						The			
						hopes			
						and			
						fears	1		
						of	2		
								all	
	3	years				the			are
								met	5
			1	in		thee	iii		
						to-			
				night.	iii				

We Three Kings of Orient Are - 1

Moderately #:1 Beats: 2

LH RH

C	D	E	F	G	A	B	C	D
1	2		3	4	5		1	
		of	1 kings	2 three	We	ii		
			O-ri-ent	ii				
	are;		ing	ii	Bear-	ii		
	we	gifts,	tra-verse	ii				
	far	a-	Field and	ii				
			foun- tain,	ii	moor and	ii		moun-
					tain,	ii	---	
			yon- der	ii	Fol- low-			
	star.		O	ii	---			
			star of won-	ii				
der			Star	ii				
	of		night,	ii				

We Three Kings of Orient Are - 2

#:1

C		D		E		F		G	LH	RH	A		B		C	
1		2		3		4		5		1						
				1		Star		ii								
						with		ii								
						roy-		ii								
al						beau-		ii								
		ty				bright.		ii								
						West-		ii								
						ward		1		lead-		ii				
												ing,				
														still		
												pro-		ii		
										ceed-		ii		ing,		
						Guide		ii								
						us		ii								
						to		ii								
the						per-		ii								
		fect				light.		ii								

O Come All Ye Faithful - 1

Joyfully #1 Beats: 4 LH RH

C		D		E		F		G		A		B		C		D	
1		2				3		4		5				1			
						2		O									
								come		ii							
5		all						ye									
								faith-		ii							
		ful,		ii								joy-		1			
												ful,					
												and					
												umph-		ii			
								ant,									
								O									
								come		ii							
				O				ye,									
								come---									

										ye							
												to					
								Beth-		ii							
				---		iii											
		le-															
		hem!		iv												3	
																Come	
																and	
																be-	
																hold	
																ii	
																him,	
																the	
								born									
								king									
								of									

O Come All Ye Faithful - 2

#:1 LH RH

C	D	E	F	G	A	B	C
1		2		3	4	5	1
		---	3	an-	iii		
	gels!						
			2	O			
				come,			
				let			
				us			
					a-		
				dore	ii		
	Him,					O	1
						come,	
						let	
						us	
						a-	
						dore	ii
						Him,	
						O	
						come	
						let	
						us	
						a-	
				dore	ii		
				Him---			
						---	2
						Christ---	ii
						---	iii
				the			
				Lord!	iii		

Angels, From the Realms of Glory

Enthusiastically #/b: 0 Beats: 4 LH RH

E		F		G		A		B		C		D		E		F	
2		3		4		5		1		2		3					
gels		An- 3		the		from 1		the		of		realms iii					
		ry, 3		Wing your		glo-											
		flight		o'er													
earth. ii		all		the		sang											
who		Ye		cre-		3		a- iii									
						sto-		tions									
						ry-,		Now									
						pro-		Mes-									
						claim		---									
						si-											
		ah's ii		birth. ii		Come and iii											
		ship!		wor-		3		Come iii									
				ship!		and		3									
						wor-		4									
						the		Wor-									
						new-		ship									
						King! ii		Christ									
						born		the									
								King!									